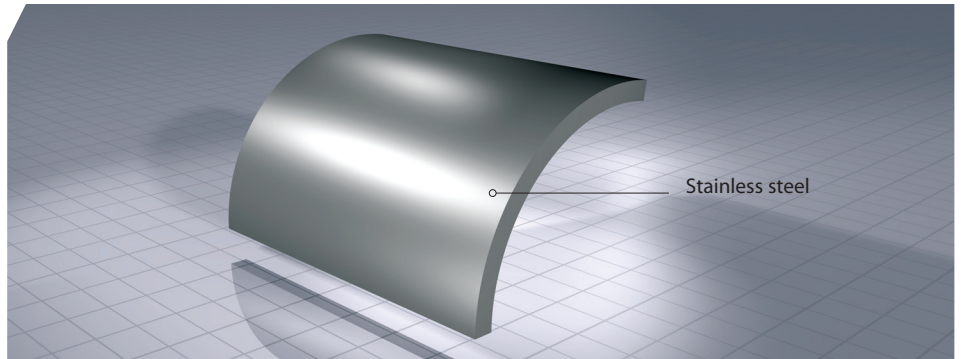


Stainless steel

STANDARDS IN FORCE

EN 10088



APPEARANCE	UGITOP : steel with a matt effect UGIBAT : low reflective steel with a glazed effect UGILINE : reflective satin-finish steel with a slightly streaky effect UGIBRIGHT : brilliant effect FTE : tinned surface for welding suitability and natural patina over the year
SECTOR OF APPLICATION	- Decking (except FTE) - Cladding (except FTE) - Roofing - Partition - FTE (thickness 0,5 only, dedicated for roof application in non aggressive environment)
INCOMPATIBILITIES	None

COATING PROPERTIES

► FIRE BEHAVIOR



Reaction to fire

M0 (M classification)

A1 (Euroclass simple skin)

A1 (Euroclass double skin)

EXTERIOR SELECTION GUIDE

GRADES OF STAINLESS STEEL			RURAL UN-POLLUTED	URBAN AND INDUSTRIAL		MARINE				SPECIAL	
Quality	EN	AISI		Normal	Harsh	20-10 km	10-3 km	Coast 3-1 km*	Mixed	High U.V.	Special
18-9 E	1.4301	304	A	A	B	A	B	C	C	A	B
18-11 ML	1.4404	316L	A	A	B	A	A	B	B	A	B
K36	1.4526	436	A	A	B	A	B	C	C	A	B
K41 FTE	1.4509	441	A	A	C	B	C	C	C	A	C

INTERIOR SELECTION GUIDE

GRADES OF STAINLESS STEEL			NOT AGGRESSIVE			SLIGHTLY AGGRESSIVE	AGGRESSIVE	VERY AGGRESSIVE
Quality	EN	AISI	Low humidity	Average humidity	High humidity	Damp (high humidity)	Very damp (very high humidity)	Saturated (very high humidity)
18-9 E	1.4301	304	A	A	A	B	B	B
18-11 ML	1.4404	316L	A	A	A	A	B	B
K36	1.4526	436	A	A	B	B	B	C

A : the suitable product / **B** : as per survey / **C** : unsuitable product

* For building locations within less than 1 km of any coast, consult us.